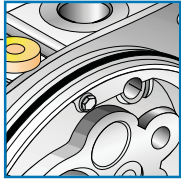


THE NEW QUIET HYDRAULIC POWER PACKS
HE-Q POWER PACKS





HE-Q POWER PACKS

The NEW He-Quiet Power Packs

Drastically improved noise quality and noise level (lower dBA) for demanding customers and applications. Available as power packs with Ø 112 LSM-24 VDC motor and 1,2 - 5,7 cm³ WQ300 pumps.

He-Q is available as standard compact powerpack as well as He-Box in steel/plastic box. Standard envelope format gives the possibility to fit and replace equal standard He-powerpacks. Series deliveries from Nov. 2000.



CONCENTRIC AB-He-Q-Box-EU-2011-7

He-Q Power Packs

The environmental demands from the market are all the time increasing. The need for lower noise levels also applies to vehicles equipped with hydraulic power packs. In cities with increasing traffic, the noise is a most relevant issue and more transportation is done during sleeping hours where noise is even more of a problem.

To meet these demands Concentric has further developed the well reputed He Power Packs with new low noise "silent" power packs- the He-Q(quiet). Due to the use of the standard He-concept, components are interchangeable. He-Q has reached its low noise levels through newly developed components. A newly developed LSM-24 VDC motor, together with the latest development from the Concentric WQ-series, WQ300, have had the most influence in reducing the noise level and improving the noise quality. He-Q is available with 2kW 24 VDC motor and displacements 1,2 - 5,7 cm³.

He-Q can be delivered both as compact powerpack "He" and "He-Box" (See also He Power Pack and He-Box information).

Measurements done on a tailgate lift in accordance with TÜV, §45 St VZO: The noise level is reduced by 4dB (A) compared to the standard power pack. When making the same test including an isolated box the noise level was 11dB(A) lower than standard. (As comparison: +3dB(A) is perceived by the human ear as a doubled noise level).



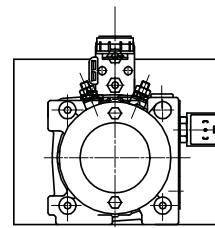
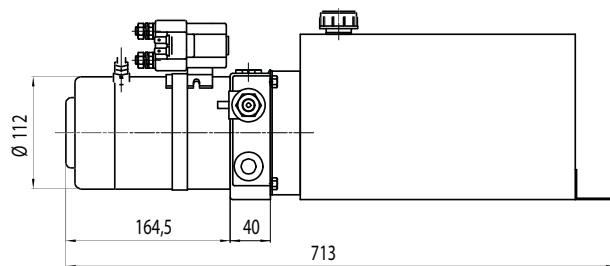
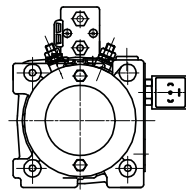
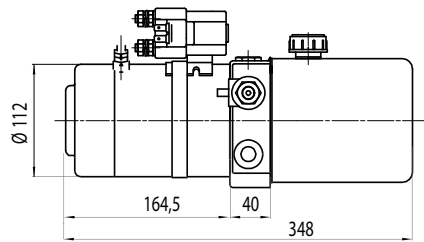


When your customers are asking for a lower noise level

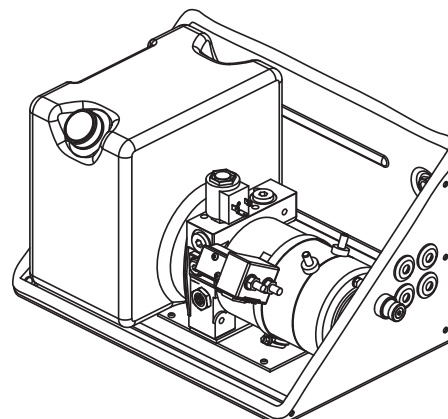
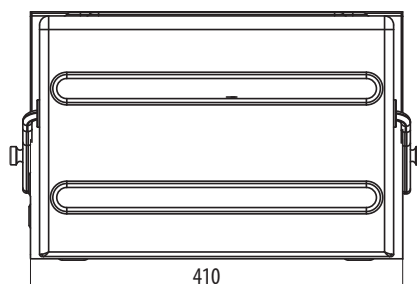
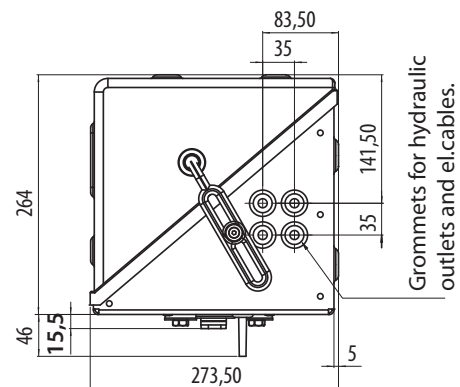
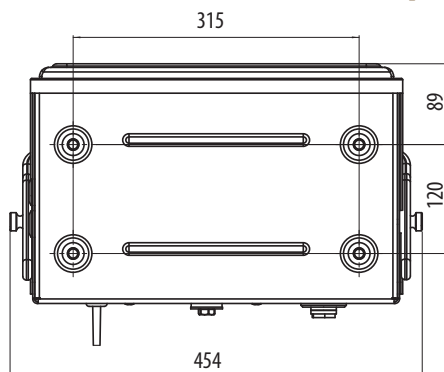
Environmental noise level at time of test 42 dB(A)
Tailgate lift unloaded during test period

	He0Q in isolated box	He-Q in standard box	Standard
Lift	49 dB(A)	54 dB(A)	60 dB(A)
Closing	49 dB(A)	57 dB(A)	60 dB(A)
Lower	50 dB(A)	57 dB(A)	59 dB(A)

Dimension examples He



Dimension examples He-Box



PRODUCT RANGE

HE Powerpacks

12/24/48 VDC 0.3 – 4.5 kW and
0.75 – 3 kW AC modular power packs

HE Box Powerpacks

12/24/48 VDC modular powerpacks
in weatherproof boxes

Pressure Switches

5 - 350 bar, connecting/disconnecting

W100 Hydraulic pumps

0,5 - 2,0 cc 227 bar

W300 Hydraulic pumps

0,8 – 5,7 cc 230 bar

W600 Hydraulic pumps / motors

3 – 12 cc 276 bar

W900 Hydraulic pumps / motors

5 – 31 cc/section 276 bar

Calma The new quiet pumps

6,2 - 23,7 cc/section 250 bar

WQ900 The quiet pumps

5 - 23 cc/section 230 bar

WP900X Hydraulic pumps

16 - 31 cc/section 276 bar

W1500 Hydraulic pumps / motors

19 - 50 cc/section 276 bar

F12 FERRA Heavy duty pumps

16 - 41 cc/section 276 bar

F15 FERRA Heavy duty pumps

19 - 50 cc/section 276 bar

F20/F30 (LS) Hydraulic pumps / motors

23 – 161 cc/section 276 bar

GPA Internal Gear pumps

1,7 – 63 cc/section 100 bar

GC Hydraulic pumps / motors

1,06 – 11,65 cc/section 276 bar

D Hydraulic pumps

3,8 – 22,9 cc/section 207 bar

H Hydraulic pumps

9,8 – 39,4 cc/section 207 bar

II-Stage Hydraulic pumps

4,2 – 22,8 cc/section 276 bar

Rotary Flow Dividers

3,8 – 13,3 cc/section 300 bar

Transmission pumps

www.concentricAB.com



Concentric Rockford Corp.

2222 15th Street
ROCKFORD, IL 61104
USA
Tel: +1-815 398 4400
Fax: +1-815 398 5977
E-mail: info.hydraulics.us@concentricAB.com

Concentric Hof GmbH

Postfach 1507
D-95014 HOF
Germany
Tel: +49-9281 895-0
Fax: +49-9281 87133
E-mail: info.hydraulics.eu@concentricAB.com

Concentric Skanes AB

Box 95
SE-280 40 SK. FAGERHULT
Sweden
Tel: +46-433 32400
Fax: +46-433 30546
E-mail: info.hydraulics.eu@concentricAB.com

Concentric Suzhou Co. Ltd.

47 Dongjing Industrial Park
9 Dong Fu Lu
SIP, Suzhou
Jiangsu
China 215123
Tel: +86 512 8717 5100
Fax: +86 512 8717 5101
info.chsh@concentricAB.com



Concentric is an innovator in flow control and fluid power, supplying proprietary systems and components for trucks, buses and industrial vehicles, worldwide. With 1,156 employees and yearly sales exceeding 1,977 million Swedish Kronor, Concentric AB is listed on the Stockholm Stock Exchange (www.concentricAB.com).

Concentric will not accept responsibility for any catalog errors and reserves the right to modify its products without prior notice. This also applies to products already ordered, provided that such modifications can be made without affecting technical specifications. All trademarks in this material are properties of their respective owners.