



HB 800 POWER PACK

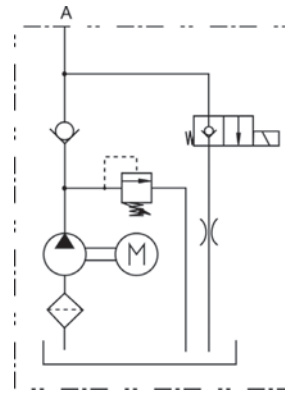


HYDRAULIC SYSTEMS DIVISION Outstanding Hydraulic Products, Service and Expertise, Worldwide

HB 800 POWER PACK

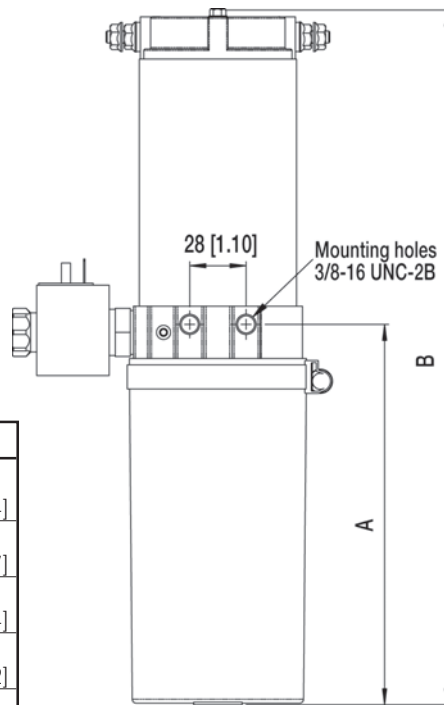
Haldex Hydraulic Systems HB 800 has been developed specifically to provide the basic lift, hold and lower function. The compact integrated design is well suited to small pallet trucks and other compact lifts which require power to lift and use gravity to lower. To achieve the lowest cost, this value engineered design limits the available options to only what is required for efficient and reliable operation of the function.

The HB 800 is UL and EMC approved and is produced to Haldex high standards at both Haldex North American and European power pack manufacturing facilities.

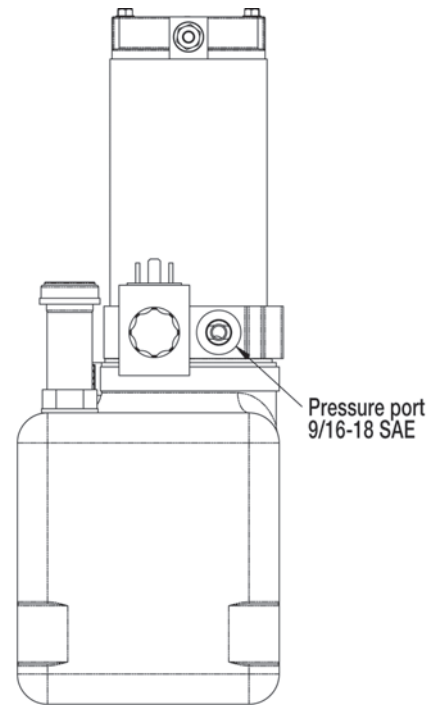


Hydraulic Circuit

Note: Dimensions in brackets are inches. Dimensions outside of brackets are millimeters.



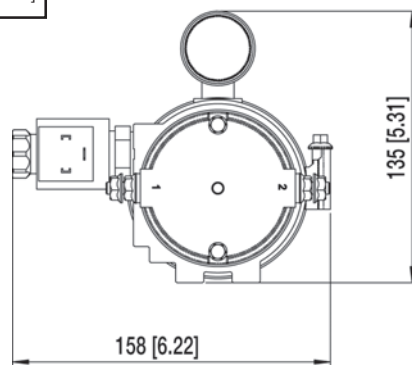
Cylindrical reservoir



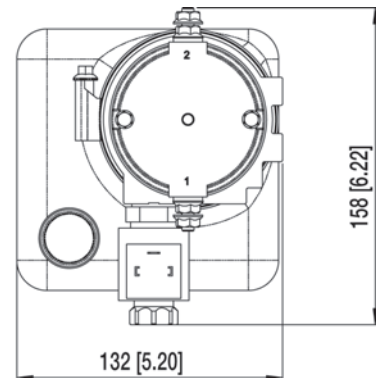
Rectangular reservoir

Reservoir	Volume	A	B
Cylindrical	0.5 [0.13]	197 [7.76]	354 [13.94]
Cylindrical	1.0 [0.26]	274 [10.79]	431 [16.97]
Rectangular	1.0 [0.26]	164 [6.46]	311 [12.24]
Rectangular	1.7 [0.45]	189 [7.44]	346 [13.62]
Rectangular	2.1 [0.55]	222 [8.74]	369 [14.53]
Rectangular	3.8 [1.00]	322 [12.68]	469 [18.46]

Note: ltr. [gal.]
mm. [in.]



Cylindrical reservoir



Rectangular reservoir



PRODUCT RANGE

He Power Packs

12/24/48 VDC 0.8 - 3.5 kW and 0.75
- 3 kW AC modular power packs

Pressure Switches

5 - 350 bar connecting /
disconnecting

He Classic Power Packs

12/24/48 VDC modular
powerpacks in weatherproof boxes

W100 Hydraulic Pumps

0.5 - 2.0 cc/section, 227 bar

W300 Hydraulic Pumps

0.8 - 5.7 cc/section, 230 bar

W600 Hydraulic Pumps

4 - 12 cc/section, 276 bar

WM600 Hydraulic Motors

4 - 12 cc/section, 276 bar

W900 Hydraulic Pumps

5 - 31 cc/section, 276 bar

WM900 Hydraulic Motors

5 - 31 cc/section, 276 bar

WQ900 The Quiet Pump

5 - 27 cc/section, 230 bar

W1500 Hydraulic Pumps

19 - 50 cc/section, 276 bar

WM1500 Hydraulic Motors

19 - 50 cc/section, 276 bar

G25 Hydraulic Pumps

23 - 87 cc/section, 250 bar

GM25 Hydraulic Motors

23 - 87 cc/section, 250 bar

GPA Internal Gear Pumps

1.7 - 63 cc/section, 100 bar

GC Hydraulic Pumps/Fluid Motors

1.06 - 11.65 cc/section, 276 bar

II-Stage Hydraulic Pumps

4.2 - 22.8 cc/section, 276 bar

Rotary Flow Dividers

3.8 - 13.3 cc/section, 300 bar

D Hydraulic Pumps

3.8 - 22.9 cc/section, 207 bar

H Hydraulic Pumps

9.8 - 39.4 cc/section, 207 bar

G20/G30 Hydraulic Pumps

23 - 161 cc/section, 276 bar

GM20/GM30 Hydraulic Motors

23 - 161 cc/section, 276 bar

G20/G30 (LS) Hydraulic Pumps

23 - 161 cc/section, 276 bar

Transmission Pumps

Fuel Pumps

HB800 PU 8/04

www.hbus.haldex.com



Haldex Hydraulics Corp.

2222 15th Street
ROCKFORD, IL 61104
USA
Tel: +1-815 398 4400
Fax: +1-815 398 5977
E-mail: info.hydraulics.us@haldex.com

Haldex Hydraulics AB

Box 511
SE-195 25 ARLANDASTAD
Sweden
Tel: +46-8 591 288 50
Fax: +46-8 591 288 60
E-mail: info.hydraulics.eu@haldex.com

Haldex Hydraulics Corp.

214 James Farm Road
STATESVILLE, NC 28625
USA
Tel: +1-704 873 2587
Fax: +1-704 878 0530
E-mail: info.hydraulics.us@haldex.com

Haldex Hydraulics GmbH

Postfach 1507
D-95014 HOF
Germany
Tel: +49-9281 895-0
Fax: +49-9281 87133
E-mail: info.hydraulics.eu@haldex.com

Haldex Hydraulics AB

Box 95
SE-280 40 SK. FAGERHULT
Sweden
Tel: +46-433 32400
Fax: +46-433 30546
E-mail: info.hydraulics.eu@haldex.com



Haldex is an innovator in vehicle technology supplying proprietary systems and components for trucks, cars and industrial vehicles, worldwide. With 4,100 employees and yearly sales exceeding 7 billion Swedish Kronor, Haldex is listed on the Stockholm Stock Exchange (www.haldex.com).